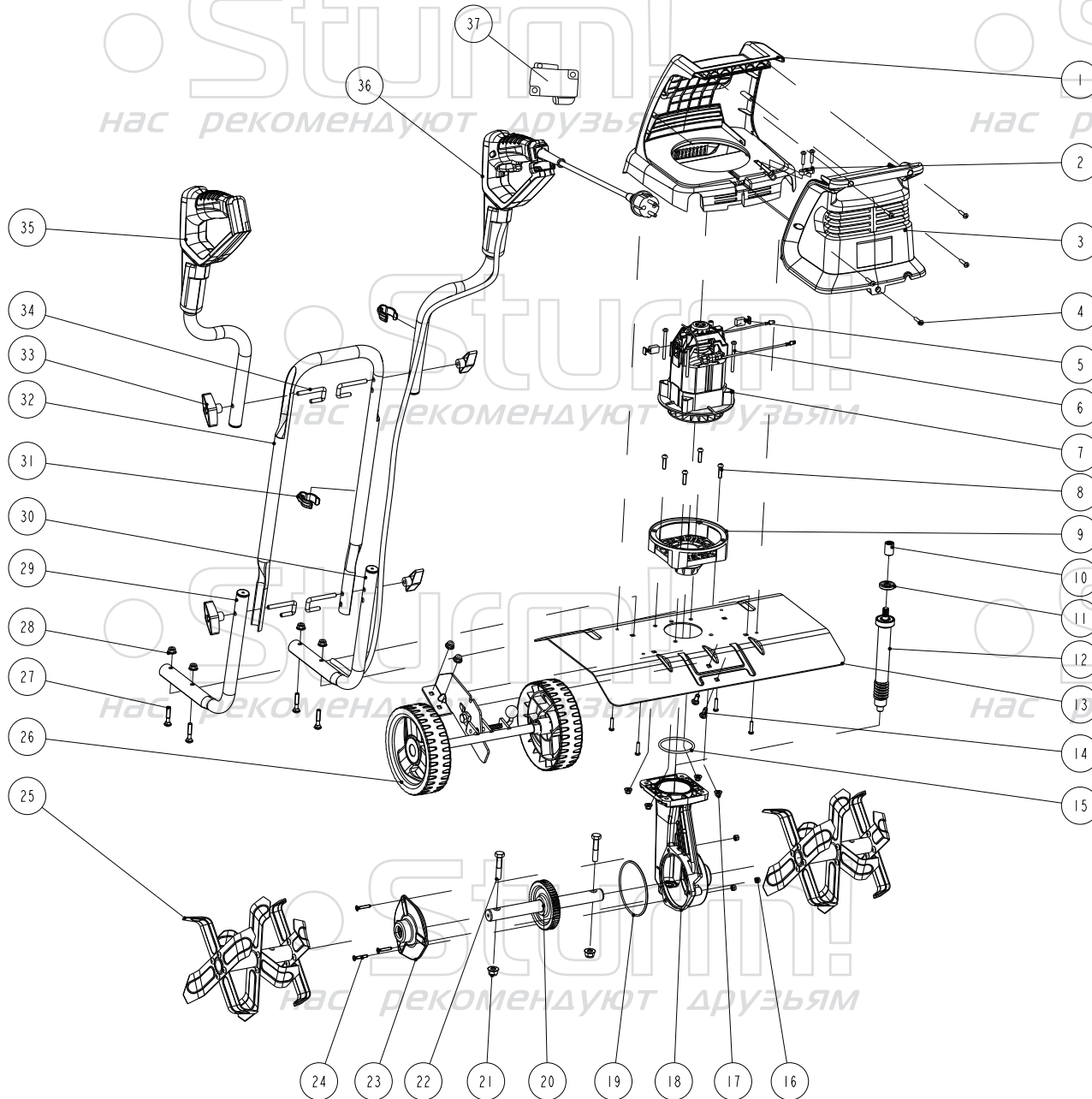


ДАЧНИК 1600



NO.	DESCRIPTION
1	Front motor housing
2	Cable holder
3	Back motor housing
4	Screw ST3.9×19
5	Carbon brush
6	Screw ST3.9×45
7	Motor assembly
8	Screw M5×20
9	Motor base A
10	Splined hub
11	Rubber seal 25×10
12	Worm wheel component 01
13	Protective shield
14	Bolt M6×16
15	O-ring 58×31
16	Nut M5
17	Flange nut M5
18	Gear box component B1
19	O-ring 90×24
20	Worm wheel component A
21	Nut M8
22	Bolt M8×40
23	Gear box cover component A
24	Screw M5×25
25	Tine set A
26	Rear wheel assembly A
27	Bolt M6×30
28	Nut M6
29	Lower handle component A1
30	Lower handle component A2
31	Cable clip 20
32	Middle handle B
33	Knob 01
34	L-bolt
35	Left handle assembly
36	Right handle assembly
37	Switch